

Description

'MR16 Triple LED lamp' is a LED based luminary powered by three high efficiency CREE Inc. USA LED's. Its fully enclosed dustproof design protects the lamp from Dust and foreign objects during installation and gives it maintenance free usage. The all aluminum construction gives the lamp exceptional reliability and long operating life of 50,000 hours.



The STANESH edge

- Cree Inc. USA, XLamp LED's
- Fully enclosed Dustproof design (IP60 construction)
- All Aluminum design for long life

Available Types

Part No.	Colour Temp. (K)
MR16 CC Triple 3000K	Warm White (3000K)
MR16 CC Triple 4000K	Warm White (4000K)
MR16 CC Triple 5000K	Neutral White (5000K)
MR16 CC Triple 6000K	Cool White (6000K)
MR16 CC Triple 7000K+	Cool White (>7000K)

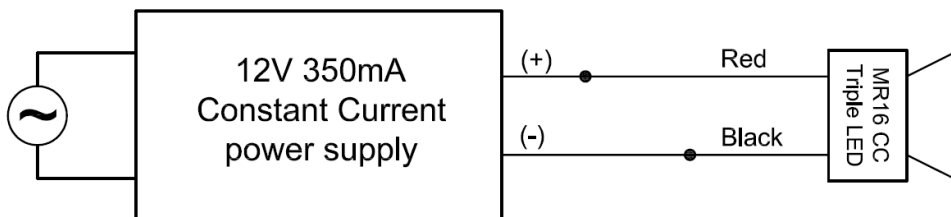
MR16 CC Triple	<input type="checkbox"/>	<input type="checkbox"/>	<input type="checkbox"/>	<input type="checkbox"/>
(Model No)	3000K	4000K	5000K	6000K
				>7000K
	S	M	W	

Each of the above is available in 3 beam patterns S (10°), M (18°) and W (54°)

Electrical Specifications

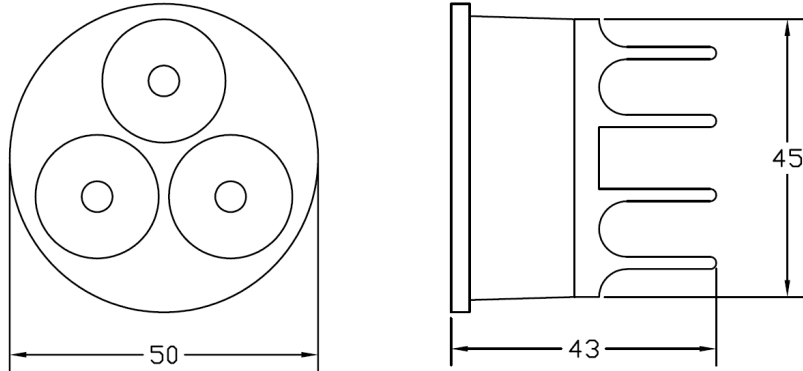
Symbol	Description	Typical	Unit
I_{nom}	Nominal DC Input current	0.35	A
I_{max}	Max Permissible DC Input Current	0.7	A
V_{nom}	Nominal forward voltage	9.6	V
V_{max}	Maximum forward voltage	10.5	V
P_{nom}	Nominal Power	3.4	W
P_{max}	Maximum power	7.4	W
t_a	Ambient Temperature	40	°C
t_c	Rated maximum temperature	80	°C

Connection Diagram



Mechanical Specifications

(All dimensions are in mm)



Optical Specifications

